

### Indicative Image



### Material

304 Stainless Steel Case, ABS Top & Base

### Finish

Satin Stainless Steel Case with Grey Top and Base

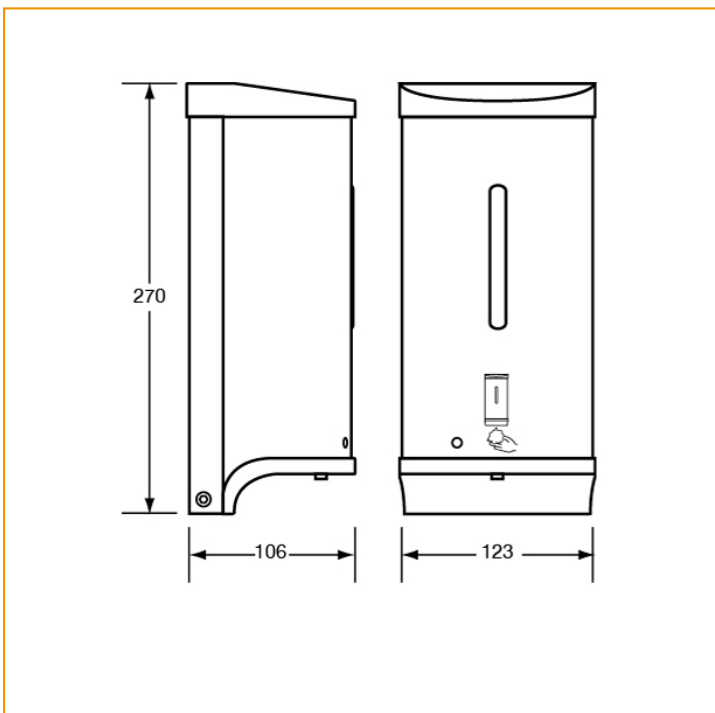
### Mounting

Surface Mount Concealed Fix

### Features

- Provides one foam spray (0.6~0.8ml) per cycle - Auto Operation - Infrared Sensor Operated/Powered by four AA Batteries (not included) provides approx 25,000 cycles/one year usage - LED Standby and Low Battery Light - Liquid Level Indicator. Vandal resistant security lock (key provided) - Can be used with select Medical Grade Soap

### Dimensions



### Capacity

800ml removable reservoir

### Dimensions

123mmW x 270mmH x 106mmD