

# SCPTD601

Paper Towel Roll Dispenser  
Lockable - Stainless Steel

## Indicative Image



## Material

304 Stainless Steel

## Finish

Satin

## Dimensions

222mmW x 284mmH x 180mmD

## Mounting

Surface Mount Concealed Fix

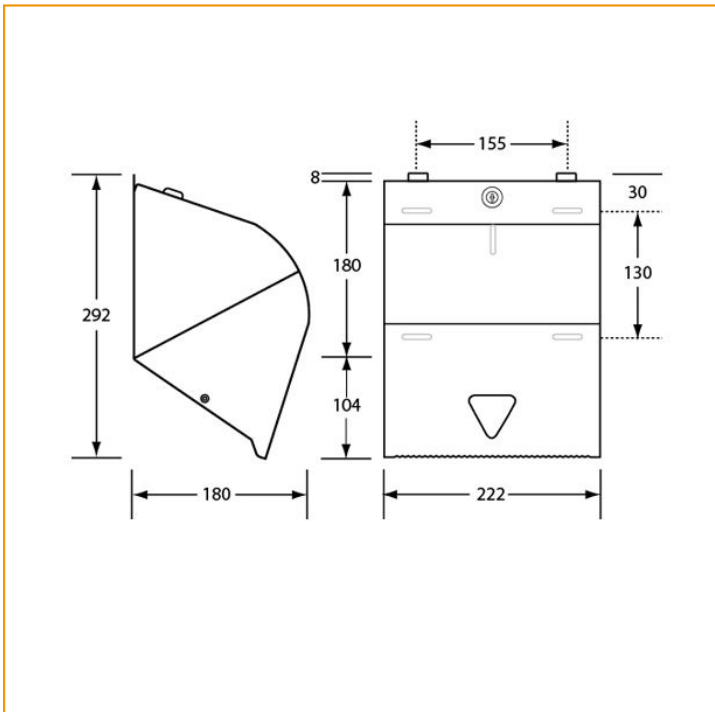
## Capacity

Suits standard size commercial roll towels up to 190mm Wide x 90m Long

## Features

- Unit fitted with tumbler lock - Front View Paper Indicator - Unit is supplied with 1 key

## Dimensions



ABN:79623 479881

P.O BOX 458 Somerton VIC 3062

158 Northbourne Road Campbellfield, VIC 3061

(03) 8339 1200 | (03) 8339 1250 | [www.surecare.com.au](http://www.surecare.com.au) | [sales@surecare.com.au](mailto:sales@surecare.com.au)