

SCPTD012W

Roll Paper Towel Dispenser -
Powder Coated White

Indicative Image



Material

304 Stainless Steel

Finish

Powder Coated White

Dimensions

222mmW x 284mmH x 180mmD

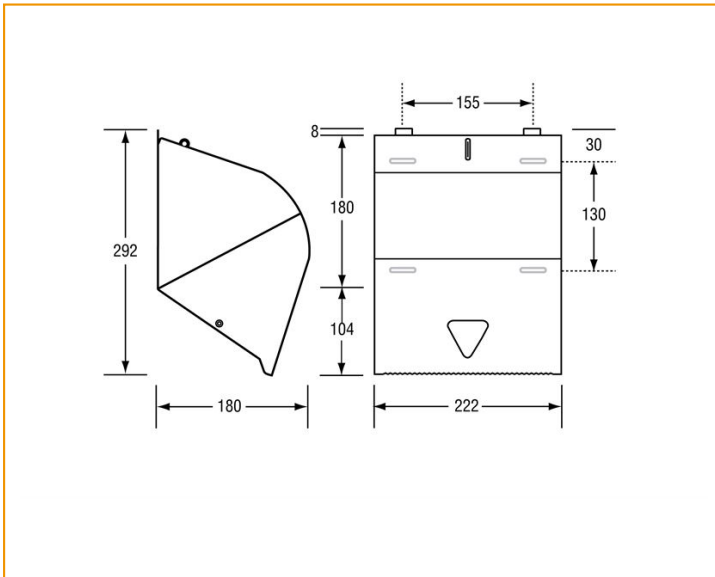
Mounting

Surface Mount Concealed Fix

Capacity

Suits standard size commercial roll towels up to 190mm Wide x 90m Long

Dimensions



Features

- Unit fitted latch for padlock use if required - Front View
Paper Indicator

ABN:79623 479881

P.O BOX 458 Somerton VIC 3062

158 Northbourne Road Campbellfield, VIC 3061

(03) 8339 1200 | (03) 8339 1250 | www.surecare.com.au | sales@surecare.com.au