

SCPTD602

Paper Towel Roll Dispenser
Lockable - White Powder Coat

Indicative Image



Material

304 Stainless Steel

Finish

Powder Coated White

Dimensions

222mmW x 284mmH x 180mmD

Mounting

Surface Mount Concealed Fix

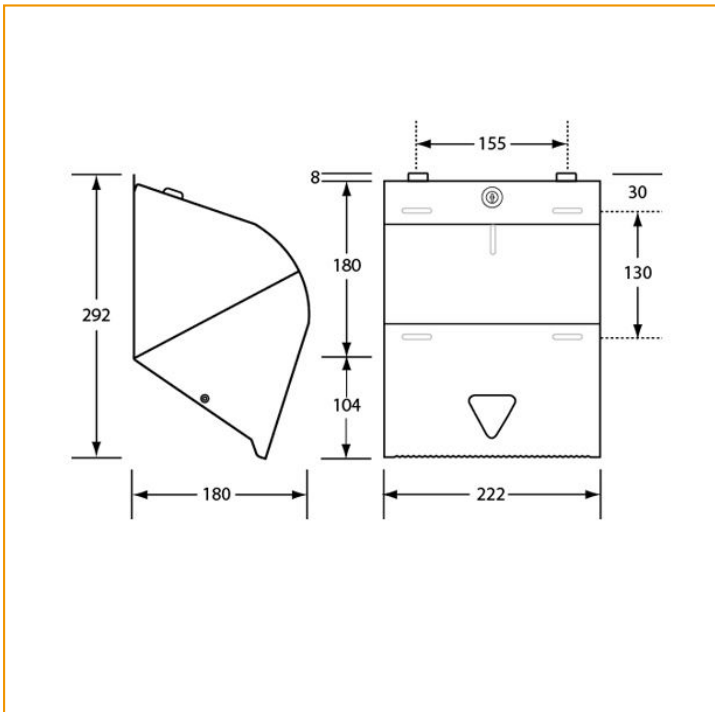
Capacity

Suits standard size commercial roll towels up to 190mm Wide x 90m Long

Features

- Unit fitted with tumbler lock - Front View Paper Indicator - Unit is supplied with 1 key

Dimensions



ABN:79623 479881

P.O BOX 458 Somerton VIC 3062

158 Northbourne Road Campbellfield, VIC 3061

(03) 8339 1200 | (03) 8339 1250 | www.surecare.com.au | sales@surecare.com.au