

# ML710\_SM\_MK2

Paper Towel Dispenser & Waste Receptacle - Surface Mounted

## Indicative Image



## Material

304 Stainless Steel

## Finish

Satin

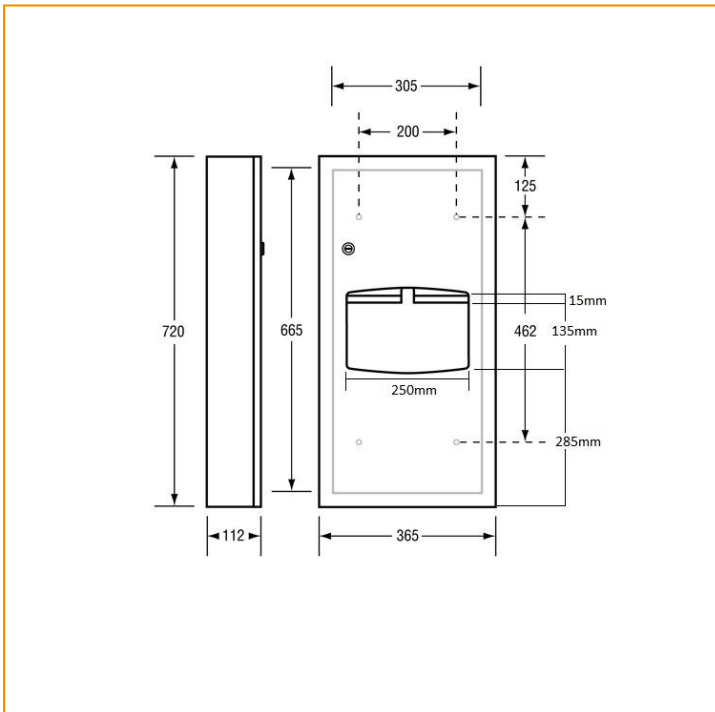
## Dimensions

365mmW x 720mmH x 115mmD

## Features

- Unit fitted with two tumbler locks (keyed alike) - Full length piano hinge on door
- Waste container is locked into cabinet. Spare key provided
- Dispenses 350 C-Fold or 475 Multi-fold paper towels
- Removable 6.5L stainless steel waste container
- Supplied with Fitted Surround

## Dimensions



ABN:79623 479881

P.O BOX 458 Somerton VIC 3062

158 Northbourne Road Campbellfield, VIC 3061

(03) 8339 1200 | (03) 8339 1250 | [www.surecare.com.au](http://www.surecare.com.au) | [sales@surecare.com.au](mailto:sales@surecare.com.au)