

# ML825

## Restricted Feed Double Toilet Roll Holder

### Indicative Image



### Material

Baked Enamel Aluminium, ABS Holder with Stainless Steel Pins & Spring

### Finish

Baked Enamel Aluminium

### Dimensions

330mmW x 44mmH x 121mmD

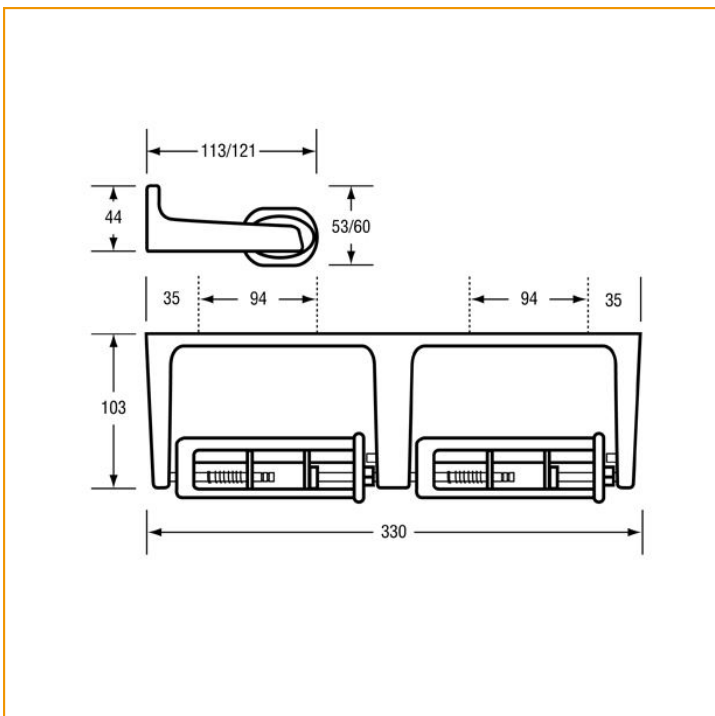
### Mounting

Surface Mount Visible Fix

### Features

Anti vandal locking mechanism

### Dimensions



ABN:79623 479881

P.O BOX 458 Somerton VIC 3062

158 Northbourne Road Campbellfield, VIC 3061

(03) 8339 1200 | (03) 8339 1250 | [www.surecare.com.au](http://www.surecare.com.au) | [sales@surecare.com.au](mailto:sales@surecare.com.au)