

SCDR208MB

Robe Hook Distinct Range - Matt Black

Indicative Image



Material

Brass

Finish

Chrome Plated Matt Black

Dimensions

60mm from wall, Back Plate 40mm Diameter, Hook 25mm Diameter

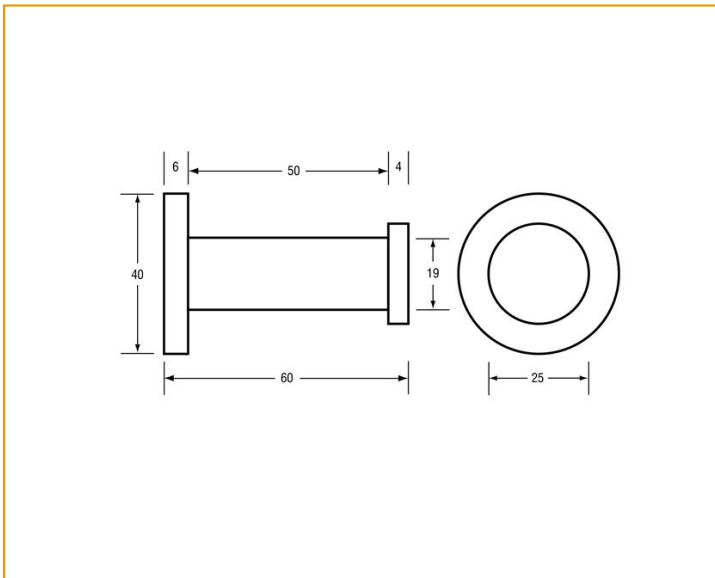
Fixing

Multiple fixing points to prevent hook turning

Compliance

When installed correctly this product is AS1428.1 2009 Compliant

Dimensions



ABN:79623 479881

P.O BOX 458 Somerton VIC 3062

158 Northbourne Road Campbellfield, VIC 3061

(03) 8339 1200 | (03) 8339 1250 | www.surecare.com.au | sales@surecare.com.au