

HDAPWHT

Applause Automatic Hand Dryer -
White

Indicative Image



Material

Formed Steel

Finish

Powder Coated White

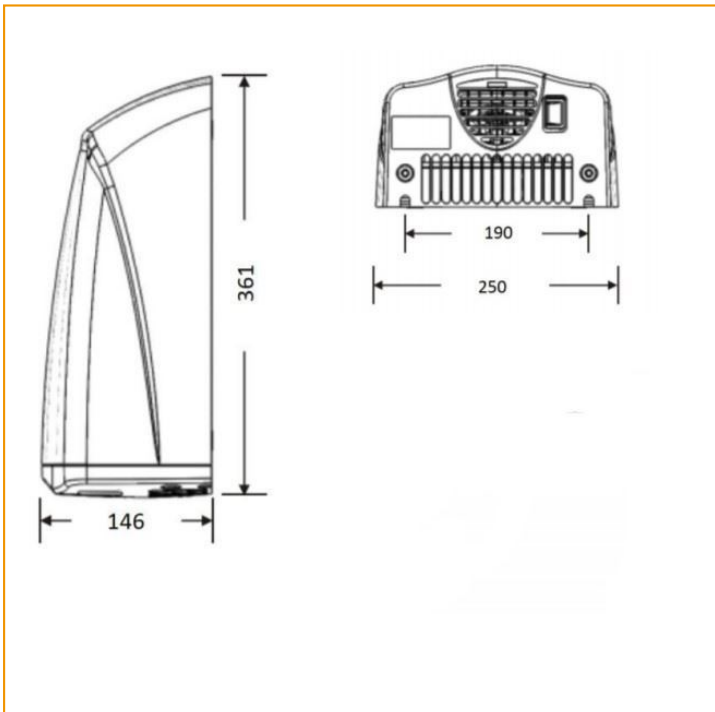
Dimensions

250mmW x 361mmH x 146 mmD

Features

- Automatic hand dryer with sensor operation
- Engineered to suit washrooms requiring low noise levels
- Streamlined, minimal design for smaller environments
- Durable steel casing with theft resistant torx screws
- Tamper-proof & safe intake opening
- Pivot bracket inside cover for ease of installation

Dimensions



ABN:79623 479881

P.O BOX 458 Somerton VIC 3062

158 Northbourne Road Campbellfield, VIC 3061

(03) 8339 1200 | (03) 8339 1250 | www.surecare.com.au | sales@surecare.com.au