

# SIMPNCBRH

Simplicity Drop Down Grab Rail  
With Nurse Call Button RH

## Indicative Image



## Material

304 Stainless Steel 32mm x 1.6mm

## Dimensions

830mm from wall

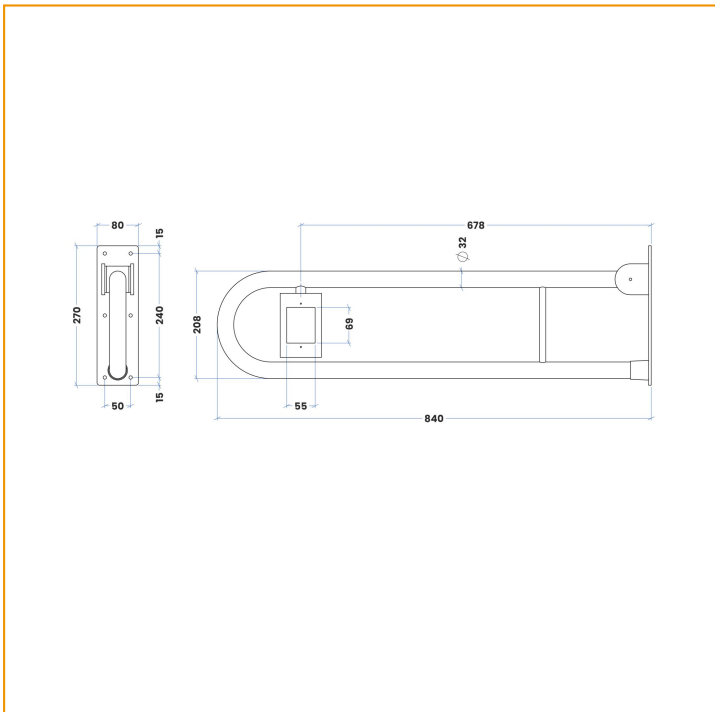
## Fixing

We recommend the use of F17 90mm x 90mm hardwood timber posts for all drop down grab rails

## Compliance

When installed correctly this product is AS1428.1 2009 Compliant

## Dimensions



ABN:79623 479881

P.O BOX 458 Somerton VIC 3062

158 Northbourne Road Campbellfield, VIC 3061

(03) 8339 1200 | (03) 8339 1250 | [www.surecare.com.au](http://www.surecare.com.au) | [sales@surecare.com.au](mailto:sales@surecare.com.au)