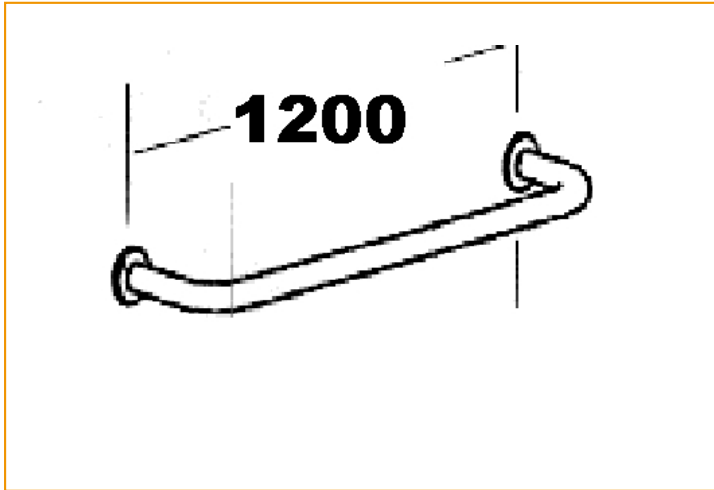


# BA1232

Bariatric Straight Grab Rail -  
1200mm

## Indicative Image



## Material

304 Stainless Steel 32mm x 1.6mm

## Dimensions

1200mm C to C

## Compliance

When installed correctly this product is AS1428.1 2009 Compliant

## Dimensions

