

AL1091

Anti-Ligature Toilet Grab Rail 90
Degree LH

Indicative Image



Material

304 Stainless Steel 32mm x 1.2mm

Dimensions

1050mm x 600mm

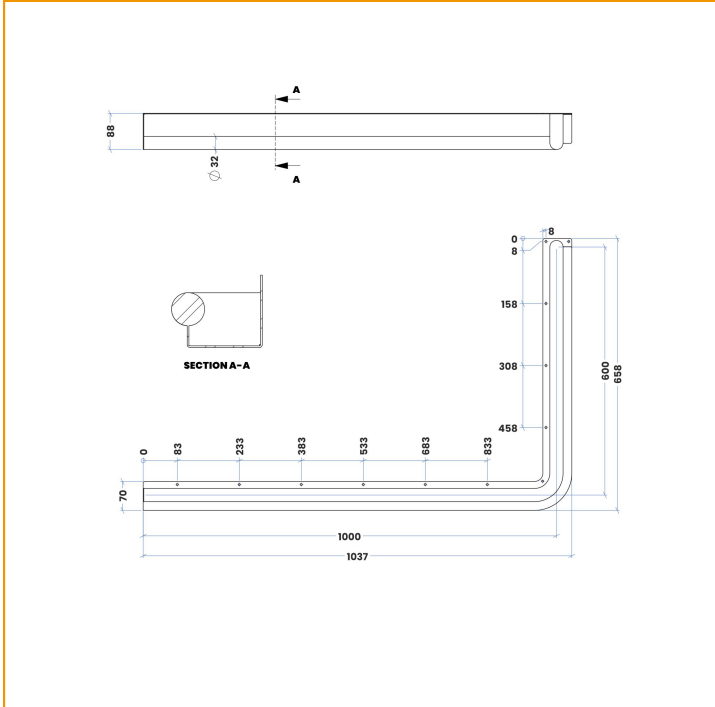
Note

To be installed flush with rear wall to prevent a ligature point

Compliance

When installed correctly this product is AS1428.1 2009 Compliant

Dimensions



ABN:79623 479881

P.O BOX 458 Somerton VIC 3062

158 Northbourne Road Campbellfield, VIC 3061

(03) 8339 1200 | (03) 8339 1250 | www.surecare.com.au | sales@surecare.com.au